



PEACE OF MIND IN A DANGEROUS WORLD

XIP41X3C: NIST P-256/P-384 ECDH+ECDSA

Compact ECC IP Cores supporting ECDH and ECDSA on NIST P-256/P-384

Product Brief
ver. 1.0
May 22, 2024

sales@xiphera.com

Introduction

XIP41x3C from Xiphera are a family of compact Intellectual Property (IP) cores implementing Elliptic Curve Diffie-Hellman (ECDH) and Elliptic Curve Digital Signature Algorithm (ECDSA) on NIST prime curves [2]. ECDH and ECDSA on NIST prime curves are widely used in various cryptographic protocols and systems.

The XIP41x3C family currently includes two IP cores:

- **XIP4123C** for ECDH and ECDSA on the NIST P-256 elliptic curve and
- **XIP4133C** for ECDH and ECDSA on the NIST P-384 elliptic curve.

These two curves are the most commonly used NIST curves today. XIP41x3C has been designed for easy integration with FPGA- and ASIC-based designs in a vendor-agnostic design methodology, and the functionality of XIP41x3C does not rely on any FPGA manufacturer-specific features.

Key Features

- **Minimal Resource Requirements:** XIP41x3C require for example 1119 LUTs in AMD Spartan-7[®] and use only 1-2 multipliers/DSP blocks and 1-3 internal memory block in a typical AMD[®] FPGA implementation.
- **Secure Architecture:** The execution time of XIP41x3C is independent of the secret values and, consequently, provides full protection against timing-based side-channel attacks. Additionally, the pattern of operations during computations is independent of the secrets. XIP41x3C have two interfaces which can be used for separating access to security-critical values.

- **Standard Compliance:** XIP41x3C are compliant with FIPS 186-4 [2] and SP 800-56A [1]. XIP41x3C can be used as a part of numerous public-key systems and protocols including IKEv2 [4, 6, 3] and TLS 1.3 (RFC 8446) [5].
- **Easy Integration:** The 16-bit interface of XIP41x3C supports easy integration to various systems.

Functionality

XIP41x3C can be used for elliptic curve key generation, computation of Diffie-Hellman shared secrets as well as for ECDSA signature generation and verification. Hence, they are very versatile IP cores that can be used in a variety of cryptographic protocols and systems. The NIST prime curves are arguably still the most used elliptic curves and it is common for practical systems using ECC to support P-256 and/or P-384.

The main optimization objective for XIP41x3C has been on reducing the resource requirements and XIP41x3C require only very few resources considering the complexity of the operations that they support. They also include various security checks for the input values that prevent accidental misuses that could compromise the security of the cryptosystem. These include validations that the input points are in fact a valid point on the curve and in-built prevention of accidental misuse of values that should be used only once (ECDSA nonces). XIP41x3C also include protections against side-channel attacks, the most important of which is the fully constant-time operation of all operations that use secret values.

XIP41x3C implements the main elliptic curve operations. XIP41x3C requires an external random number generator (for example, XIP8001B) and ECDSA also requires an external hash function.

Block Diagram

The internal high-level block diagram of XIP41x3C is depicted in Figure 1.

Interfaces

The external interfaces of XIP41x3C are depicted in Figure 2.

This Product Brief describes a high-level overview of the functionality and capabilities of XIP41x3C. Please contact sales@xiphera.com for a complete datasheet with a detailed description of the input and output signals, startup procedure of XIP41x3C, example simulation waveforms, and the FPGA resource requirements of your targeted FPGA family.

FPGA Resources and Performance

Tables 1 presents the AMD® FPGA resource requirements for representative implementations on different AMD® FPGA architectures. On request, the resource estimates can also be supplied for other AMD® FPGA families.

* , default compilation settings, industrial speedgrade.

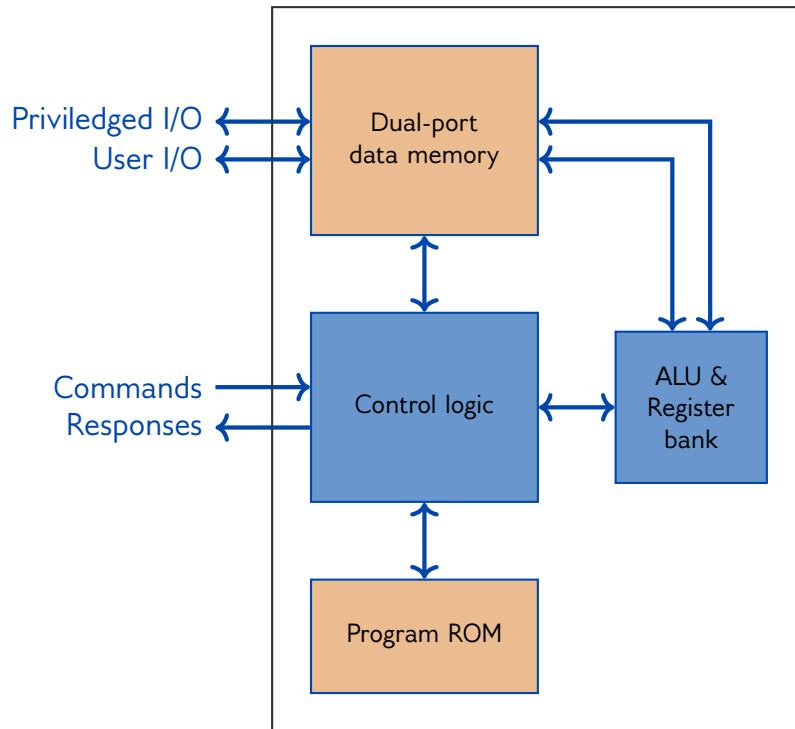


Figure 1: Internal high-level block diagram of XIP41x3C

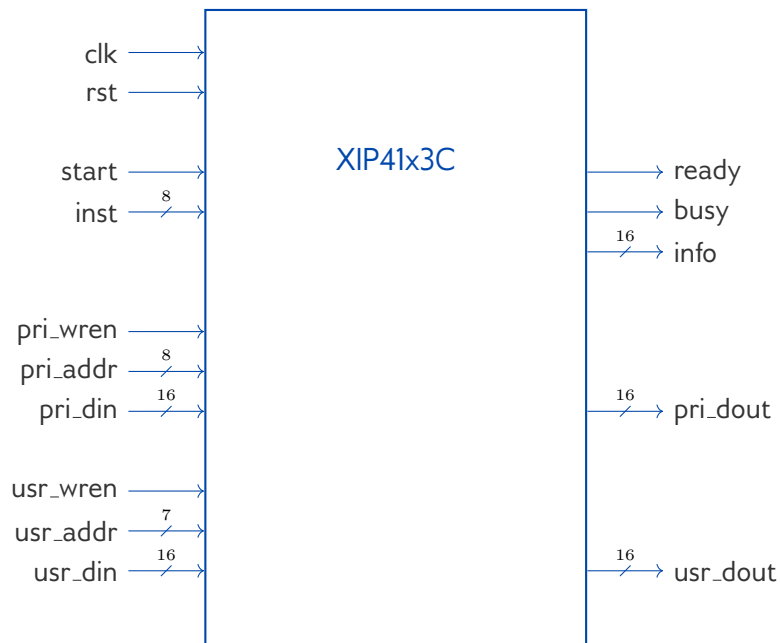


Figure 2: External interfaces of XIP41x3C

Example Use Cases

XIP41x3C have several applications, as ECC on NIST prime curves are popular asymmetric cryptography schemes that are used in a number of standardized communications protocols, including IPSEC, MACSEC and TLS (Transport Layer Security) versions 1.2 and 1.3.

Device	Resources	f_{MAX}
XIP4123C		
AMD® Zynq-7000® *	1130 LUT, 2/1 RAMB36/18 , 1 DSP	87.28 MHz
AMD® Spartan-7® *	1119 LUT, 2/1 RAMB36/18 , 1 DSP	105.09 MHz
AMD® Artix-7® *	1118 LUT, 2/1 RAMB36/18 , 1 DSP	105.64 MHz
XIP4133C		
AMD® Spartan-7® *	1185 LUT, 2/1 RAMB36/18 , 1 DSP	111.32 MHz
AMD® Artix-7® *	1185 LUT, 2/1 RAMB36/18 , 1 DSP	117.94 MHz
AMD® Zynq-7000® *	1204 LUT, 2/1 RAMB36/18 , 1 DSP	94.11 MHz

Table 1: Resource usage and performance of both variants of the XIP41x3C on representative AMD® FPGA families.

Ordering and Deliverables

Please contact sales@xiphera.com for pricing and your preferred delivery method. XIP41x3C can be shipped in a number of formats, including netlist, source code, or encrypted source code. Additionally, synthesis scripts, a comprehensive testbench, and a detailed datasheet including an integration guide are included.

About Xiphera

Xiphera specializes in secure and efficient implementations of standardized cryptographic algorithms on Field Programmable Gate Arrays (FPGAs) and Application Specific Integrated Circuits (ASICs). Our fully in-house designed product portfolio includes individual cryptographic Intellectual Property (IP) cores, as well as comprehensive security solutions built from a combination of individual IP cores.

Xiphera is a Finnish company operating under the laws of the Republic of Finland, and is fully owned by Finnish citizens and institutional investors.

Contact

Xiphera Oy
 Tekniikantie 12
 FIN-02150 Espoo
 Finland
sales@xiphera.com
 +358 20 730 5252

References

- [1] SP 800-56A Rev.3 Recommendation for Pair-Wise Key-Establishment Schemes Using Discrete Logarithm Cryptography. Technical report, National Institute of Standards & Technology, Gaithersburg, MD, United States, 2018.
- [2] NIST Computer Security Division. FIPS PUB 186-4 Digital Signature Standard (DSS). Technical report, National Institute of Standards & Technology, Gaithersburg, MD, United States, 2013.
- [3] David E. Fu and Jerome Solinas. IKE and IKEv2 Authentication Using the Elliptic Curve Digital Signature Algorithm (ECDSA). RFC 4754, January 2007.
- [4] Charlie Kaufman. Internet Key Exchange (IKEv2) Protocol. RFC 4306, December 2005.
- [5] Eric Rescorla. The Transport Layer Security (TLS) Protocol Version 1.3. RFC 8446, August 2018.
- [6] Jerome Solinas and David E. Fu. Elliptic Curve Groups modulo a Prime (ECP Groups) for IKE and IKEv2. RFC 5903, June 2010.